

Specifications

SSR-4-ODC05A



**MEASUREMENT
COMPUTING™**

Document Revision 1.1, December, 2006
© Copyright 2006, Measurement Computing Corporation

Specifications

Typical for 25 °C unless otherwise specified.

General characteristics

Table 1. General characteristics

Parameter	Conditions	Specification
Type		Quad DC output
Isolation voltage		4000 Vrms
Capacitance input to output		8 pF

Output

Table 2. Load and line specifications

Parameter	Conditions	Specification
Maximum line voltage		200 VDC
Line voltage range		5 to 200 VDC
Maximum off-state leakage		2 mA
On-state current range		0.01 to 1 A
Maximum surge current	One second	5 A
Peak on-state voltage		1.5 V
Maximum turn-on time		50 μ s
Maximum turn-off time		100 μ s

Input

Table 3. Input and logic circuit specifications

Parameter	Conditions	Specification
Nominal input voltage	Vcc	5 VDC
Input voltage range	Vcc	4 to 6 VDC
Minimum drop out voltage		1 VDC
Maximum input current		15 mA
Typical input current		10 mA
Nominal input resistance		240 Ohms

Environmental

Table 4. Environmental specifications

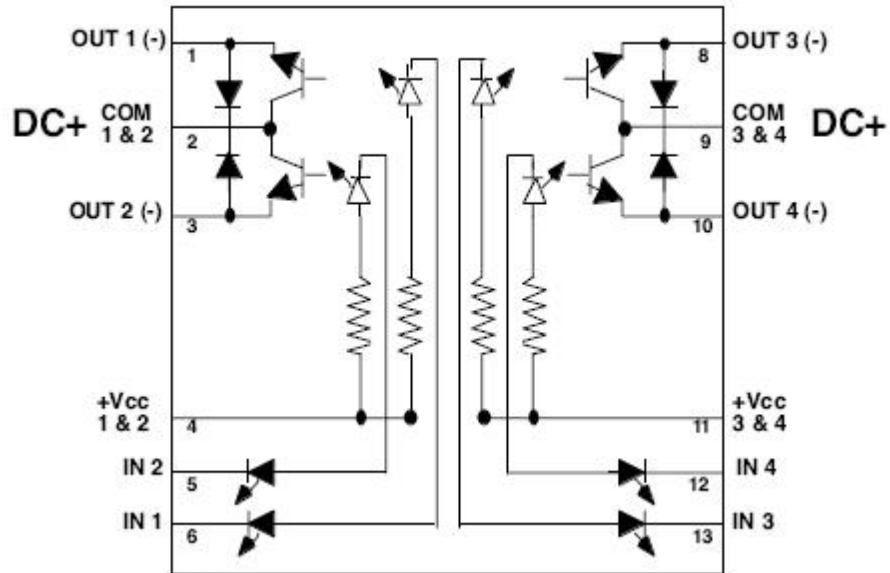
Operating temperature range	-30 to 80 °C
Storage temperature range	-40 to 100 °C

Mechanical

Table 5. Mechanical specifications

Dimensions	1.7" (43.2 mm) L x 0.6" (15.2 mm) W x 1.25" (31.8 mm) H
------------	---

Block diagram and pin out



Measurement Computing Corporation
10 Commerce Way
Suite 1008
Norton, Massachusetts 02766
(508) 946-5100
Fax: (508) 946-9500
E-mail: info@mccdag.com
www.mccdag.com