

For 5B-Compatible Analog Input Modules

Overview 1
Warnings, Cautions, and Tips 3
Power Considerations 4
External Ground Connection 4
Channel Configuration 5
5B Module Connection 5
Terminal Block Connection 6
Connecting DBK207 or DBK207/CJC to a Daq Device 7
Software Setup 7
DBK207 and DBK207/CJC – Specifications 8

Note: The DBK207 and DBK207/CJC each provide: (a) two P1 connectors, (b) footprints for sixteen 5B Modules, (c) 16 terminal blocks. In addition, DBK207/CJC provides Cold Junction Compensation. The DBK207 and DBK207/CJC each include a 100-pin P4 connector for use with DaqBoard/2000 Series and cPCI DaqBoard/2000c Series Boards, and DaqBook/2000 Series devices.



This product is not used for LogBook applications.



Reference Notes:

- ⊕ In regard to calculating system power requirements refer to the *DBK Basics* section.
- ⊕ For information regarding a related product with a different form-factor, refer to the DBK44, *2-Channel 5B Signal-Conditioning Card* section of this manual.
- ⊕ Chapter 2 includes pinouts for P1, P2, P3, and P4. Refer to pinouts applicable to your system, as needed.
- ⊕ For a quick comparison of all DBK200 Series boards, refer to the *DBK200 Series Matrix*. The matrix is located just before the DBK200 section.
- ⊕ Refer to the *DaqBoard/2000 Series and cPCI DaqBoard/2000c Series User's Manual* (p/n 1033-0901) or the *DaqBook/2000 Series User's Manual* (p/n 1103-0901) for information pertaining to those products, as needed.

Overview

The DaqBoard/2000 Series and cPCI DaqBoard/2000c Series boards communicate [external from the host PC] through a 100-pin P4 connector. The P1, P2, and P3 connectors discussed in association with DaqBoard/2000 Series and cPCI DaqBoard/2000c Series boards are subset connectors of the 100-pin P4 connector that is located on those boards. Chapter *System Connections and Pinouts*, includes pinouts for P1, P2, P3, and P4.



DBK207/CJC Carrier Board for 5B Compatible Modules

WARNING

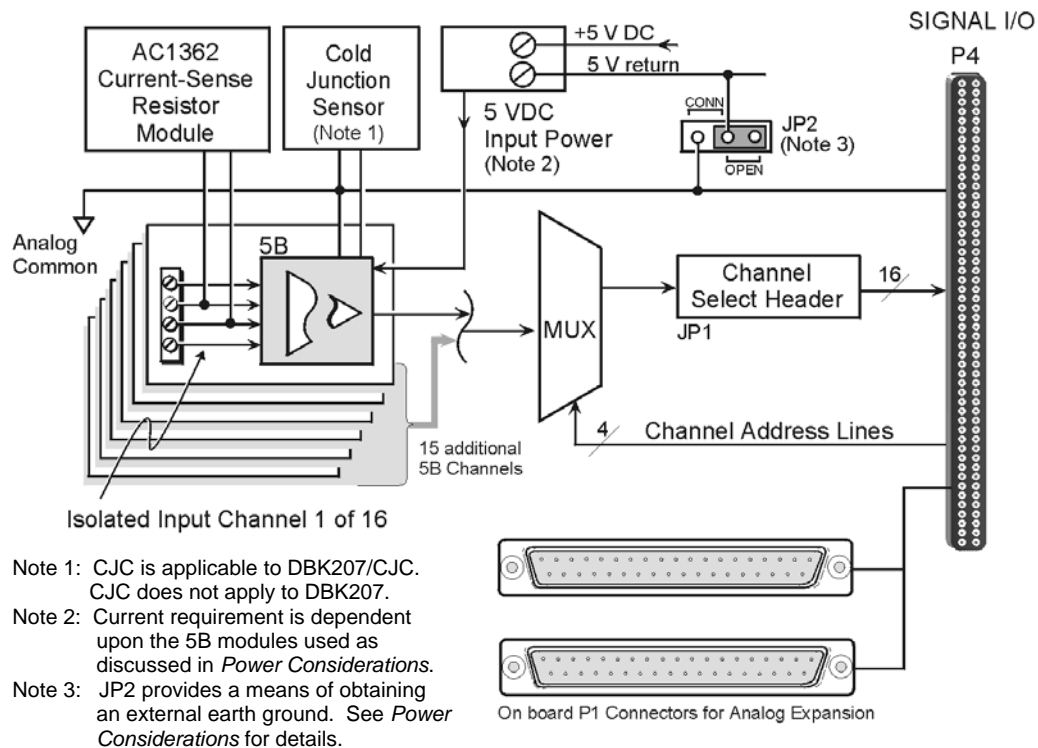


Ensure that hard-wire emergency over-ride circuitry exists for all applications that make use of dangerous switch-loads. Do not operate such switch-loads unless emergency over-ride circuitry is present.

The DBK207 and DBK207/CJC are carrier boards for 5B-compatible analog input modules. These options each include two P1 connectors for analog expansion, a 5 VDC power terminal, and 16 signal terminal blocks. DBK207 and DBK207/CJC are typically installed in NEMA-type panels; however, they may be installed on DIN rails. Separate mounting instructions are included with Rack Mount Kit (part no. Rack-DBK-3) and with DIN-rail Mount Kit (part no. DIN-DBK-1).

DBK207 and DBK207/CJC allow Daq-based acquisition systems to use various combinations of sixteen 5B signal-conditioning modules. 5B modules can accommodate a variety of signals, including low-level thermocouple and strain-gage signals. Configuration options are flexible. You can select the type of signal attached to each channel. One Daq device can support up to 16 DBK207 [or DBK207/CJC] boards, providing a maximum of 256 isolated, analog input channels. Note that Daq devices scan the channels at the same 10 μ s/channel rate as other DBKs (256 scans in 2.56 ms in a full system).

Each user-installed 5B module offers 500 V isolation from the system and between channels. Both DBK207 and DBK207/CJC include 16 screw-terminal blocks for signal inputs. In addition, the DBK207/CJC includes cold junction compensators (CJCs) for use with thermocouple 5B modules. Sockets are provided for user-installed AC1362 current-sense resistor modules, as discussed in *5B Module Connection* on page 5 of this section.



DBK207 and DBK207/CJC Block Diagram

Warnings, Cautions, and Tips

WARNING



Ensure that hard-wire emergency over-ride circuitry exists for all applications that make use of dangerous switch-loads. Do not operate such switch-loads unless emergency over-ride circuitry is present.

CAUTION



Turn off power to the host PC and externally connected equipment prior to connecting cables or signal lines to the DBK. Electric shock or damage to equipment can result even under low-voltage conditions.



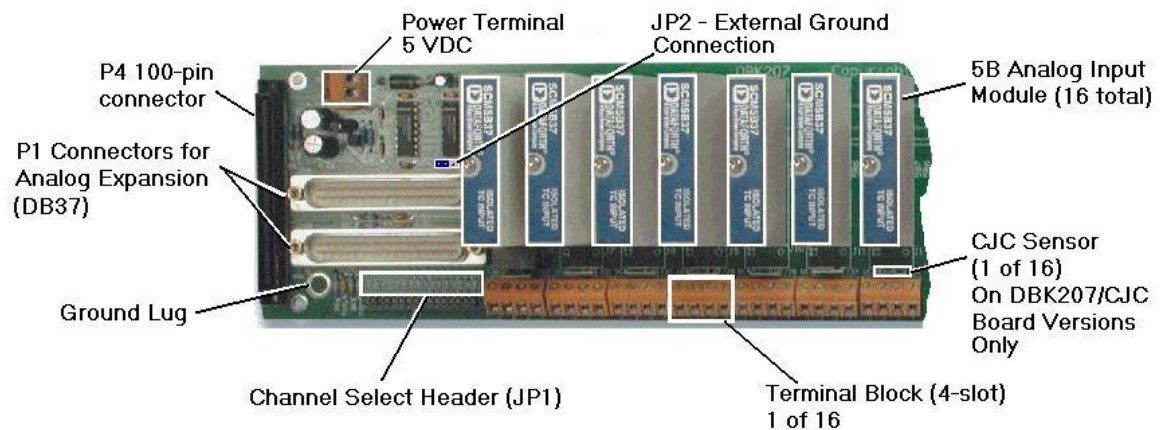
Take ESD precautions (packaging, proper handling, grounded wrist strap, etc.)

Use care to avoid touching board surfaces and onboard components. Only handle boards by their edges (or ORBs, if applicable). Ensure boards do not come into contact with foreign elements such as oils, water, and industrial particulate.



Do not confuse connectors. Ensure that you only connect P1 I/Os to P1, P2 I/Os to P2, and P3 I/Os to P3. Improper connection may result in equipment damage.

1. Ensure that hard-wire emergency over-ride circuitry exists for all applications that make use of dangerous switch-loads. Do not operate such switch-loads unless emergency over-ride circuitry is present.
2. Provide raceways (protective wiring routes) for all external I/O wiring.
3. Keep external I/O wiring away from ribbon cables.
4. Keep external I/O wiring away from low-voltage signal wiring.
5. Provide appropriate strain-relief and physical restraint to ensure that the wiring is held securely in the intended position, and without strain.
6. Ensure that all wiring with >50V potential is identified by the appropriate color codes and that warning labels are clearly visible.
7. Provide physical protection for the interface board. The level of protection is dependent upon the board's operating environment.



Partial DBK207/CJC

Power

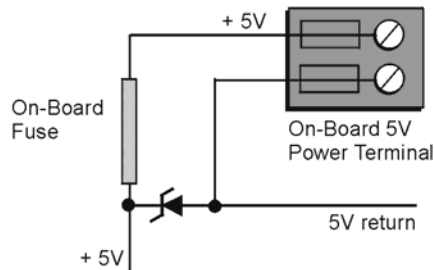
The DBK207 and DBK207/CJC require +5 VDC from a regulated DC power supply. External power attaches to the DBK207 [DBK207/CJC] via on-board screw terminal connections.

Power Requirements:

Voltage: +5 V regulated DC

Current: Dependent upon 5B Models used.

- SC-5B38 series modules each require 200 mA.
- SC-5B43 series modules require up to 200 mA.
- All other analog input 5B modules require 30 mA, unless otherwise specified.



On-Board Power Connections for +5 Volts

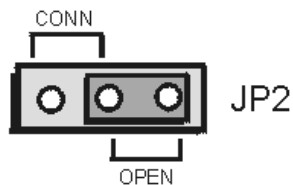
CAUTION



External power supplied to DBK207 or DBK207/CJC must not exceed +5 VDC. Neither DBK207 nor DBK207/CJC regulate the external power input.

External Ground Connection

For optimum 5B module operation, the 5B must have one [and only one] earth ground. Accordingly, the DBK207 [DBK207/CJC] must be configured to provide its earth ground, if such a ground is not present on the power supply.



JP2 Shown in OPEN Default

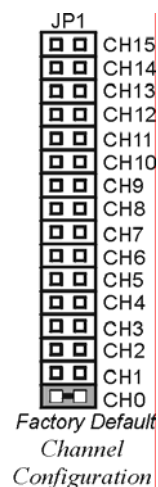
If the 5 VDC power supply provides output that is isolated from earth ground, then the jumper on JP2 should be placed in the CONN position. This will tie the 5V return on the power supply to the DBK207 [DBK207/CJC] ground system.

If the 5 VDC power supply is already referenced to earth ground, then the JP2 jumper should be placed to OPEN. This will prevent multiple earth ground connections and the resultant ground loop. Note that the OPEN position is JP2's default setting.

Channel Configuration

Up to 16 DBK207 [DBK207/CJC] boards can be connected to a Daq-based acquisition system. Since this is a daisy-chain interface, each module must appear unique and use a different analog input channel to the Daq device. To configure the board's channel, you must set the JP1 jumper to your chosen channel as follows.

1. Locate the 16×2-pin header (labeled JP1). Note the 16 jumper locations labeled CH0 through CH15 to match the Daq device's main channel.
2. Place the JP1 jumper on the channel you wish to use. Only one jumper is used per board.



5B Module Connection

DBK207 and DBK207/CJC analog input is processed through user-installed 5B signal-conditioning modules. Different 5B modules are used with different transducer and signal sources. To install the modules:

1. Remove all power from the DBK207 [DBK207/CJC].
2. Match the footprint of the module with the footprint on the printed circuit board.
3. Gently place the module into the footprint, and screw it down.
4. Record the channel the module was placed in.



When installing current input modules (SC-5B32 series), be sure to install the current-sense resistor (SC-AC-1362 shipped with the SC-5B32) in the resistor socket near the input screw-terminal block for the desired channel.



AC1362 Current Sense Resistor Install Location

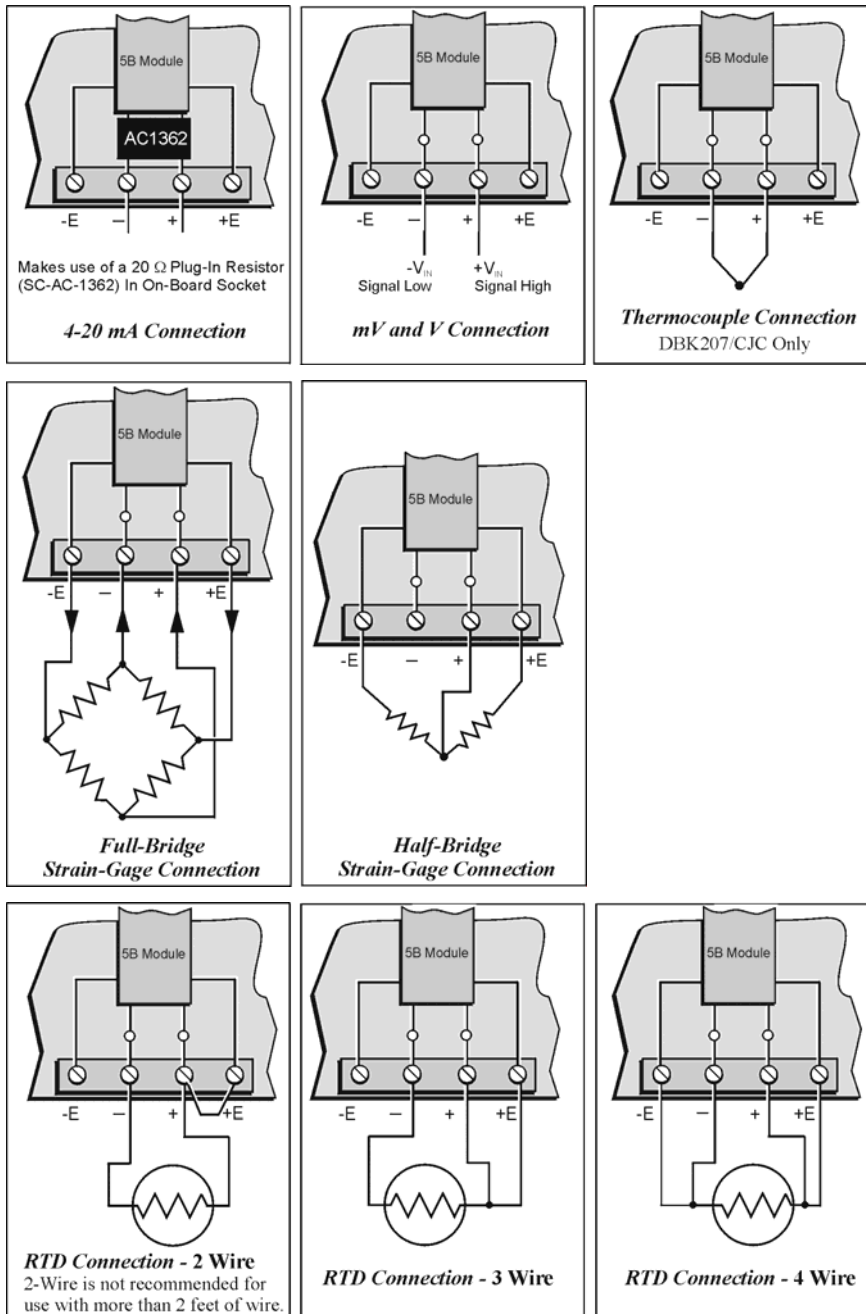
Terminal Block Connection

WARNING



Shock Hazard. De-energize circuits connected to the DBK207, or DBK207/CJC before changing the wiring or configuration. Dangerous voltages may be present.

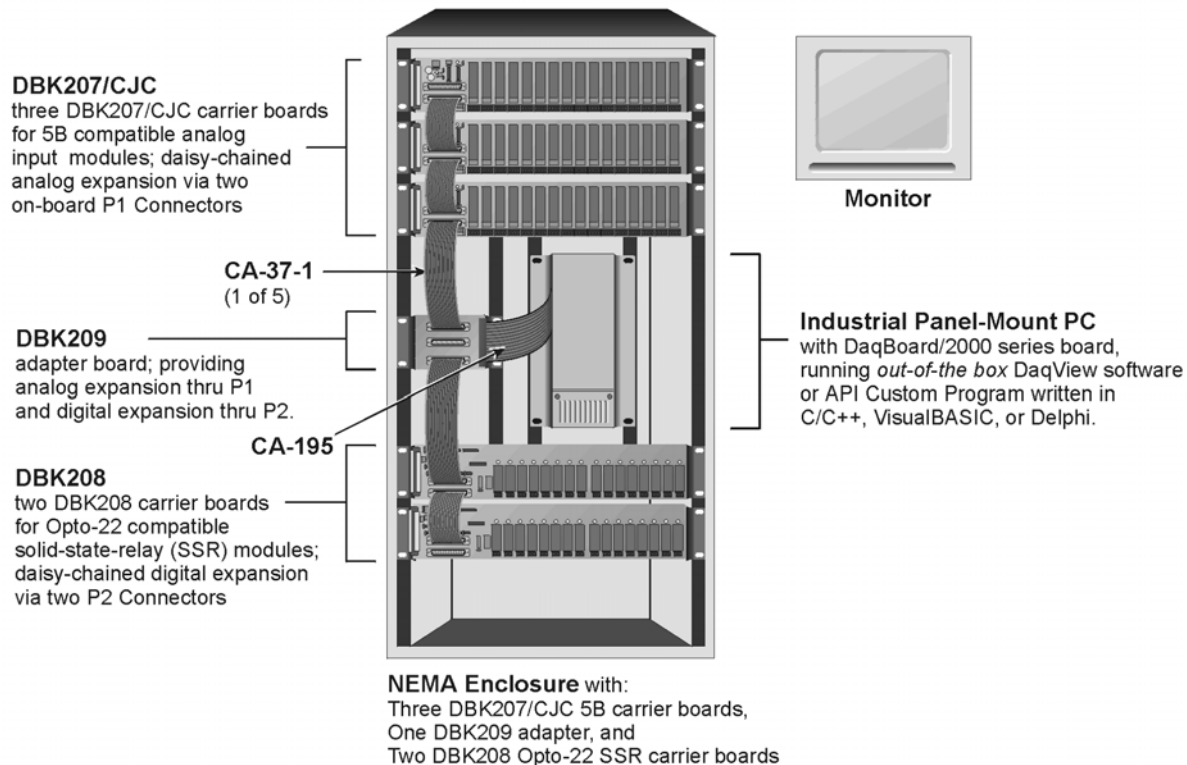
Input signals (and excitation leads) are wired to DBK207 [DBK207/CJC] via 16 four-contact terminal blocks that connect to corresponding 5B modules. The following figures depict various connection scenarios.



Connection Scenarios for 5B Modules

Connecting DBK207 or DBK207/CJC to a Daq Device

DBK207 and DBK207/CJC can be connected to the P4 connector of a DaqBook/2000 Series device or a DaqBoard/2000 Series board via a CA-195 cable or can be connected through the P1 connector of an applicable DBK200 series adapter board via CA-37-1 accessory ribbon cables.



Software Setup



Reference Notes:

- **DaqView users** - Refer to chapter 3, *DBK Setup in DaqView*.
- **LogView users** - Not Applicable.



DaqView software versions preceding 7.7 do not provide complete software support for the DBK207 or the DBK207/CJC carrier boards. If your version of DaqView precedes version 7.7, you must uninstall it, then install a more recent version of DaqView.

DBK207 and DBK207/CJC – Specifications

Name/Function:

DBK207 – Carrier Board for 5B-Compatible Analog Input Modules

DBK207/CJC – Carrier Board (with Cold Junction Compensation) for 5B-Compatible Analog Input Modules

Module Capacity: 16, input only, 5B modules

Cable (optional): CA-37-x

DC Input Fuse: 3A, reset type

Power Requirement: 5 VDC, regulated.

Operating Environment:

Temperature: 0°C to 70°C

Relative Humidity: 95% RH, non-condensing

Connectors:

P4 – 100-pin connector provides for connection to DaqBook/2000 Series device, DaqBoard/2000 Series board and cPCI DaqBoard/2000c Series P4 connector via a CA-195 cable.

P1 – Two P1 (DB37) connectors provide for analog expansion via CA-37-x cable.

Screw Terminals – 16 sets of 4-connector blocks provide wire connection for +E, -E, +, and -.

Isolation (DC or AC Peak):

Signal Inputs to Daq Device: 500 V

Input Channel-to-Channel: 500 V

CJC: Cold Junction Compensation, applicable to DBK207/CJC.
Not Applicable to DBK207.