

Variant: [No Variations]

Sheet	Index
.....
1	COVER PAGE
2	CONNECTORS AND PROTECTION
3	AMPLIFIERS

Terms of Use. The contents are provided "AS IS". DIGILENT DISCLAIMS ALL WARRANTIES, EITHER EXPRESS OR IMPLIED, INCLUDING, BUT NOT LIMITED TO, THE IMPLIED WARRANTIES OF MERCHANTABILITY, FITNESS FOR A PARTICULAR PURPOSE, AND NON-INFRINGEMENT OF INTELLECTUAL PROPERTY. The contents could contain technical inaccuracies, typographical errors or out-of-date information. Information may be updated or changed at any time, without notice. Use of such information is therefore at your own risk. Digilent may at any time revise these Terms of Use. You are bound by such revisions and should therefore visit <https://store.digilentinc.com/terms-of-use/> to review the current Terms of Use.

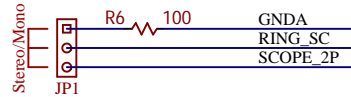
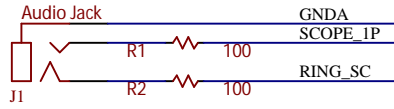
Limitation of Liability. DIGILENT WILL NOT BE LIABLE FOR DIRECT, INDIRECT, SPECIAL, INCIDENTAL, COVER, ECONOMIC, OR CONSEQUENTIAL DAMAGES ARISING OUT OF THE USE OR INABILITY TO USE THE CONTENTS EVEN IF DIGILENT IS ADVISED OF THE POSSIBILITY OF SUCH DAMAGES.

Chinese ROHS ROHS UKCA CE AD3 AUDIO IO ADAPTER

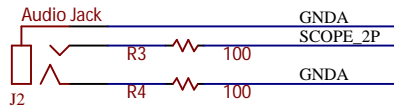
Title AD Audio Adapter +		Rev C.0 Copyright 2022
Circuit Cover page		 DIGILENT [®] <i>A National Instruments Company</i>
Doc# 410-418		
Engineer GC		
Author VVA		
Date 06/04/2023		
Sheet# 1 out of 3		

Scope

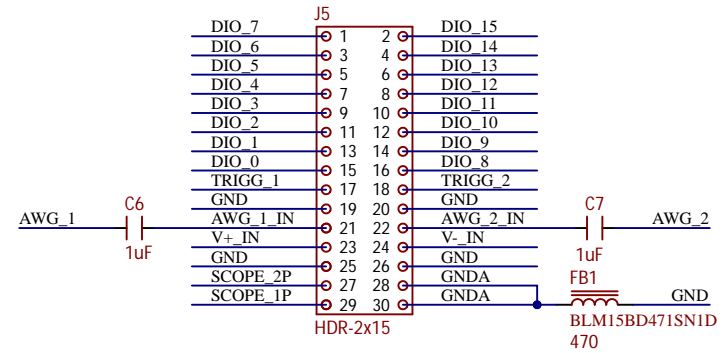
Stereo/Mono 1



Mono 2

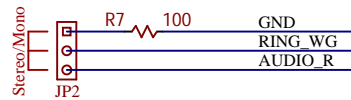
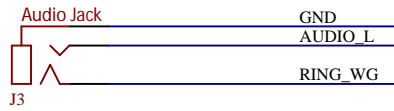


Input

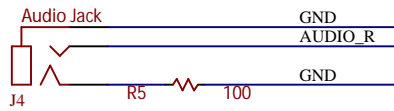


Wavegen

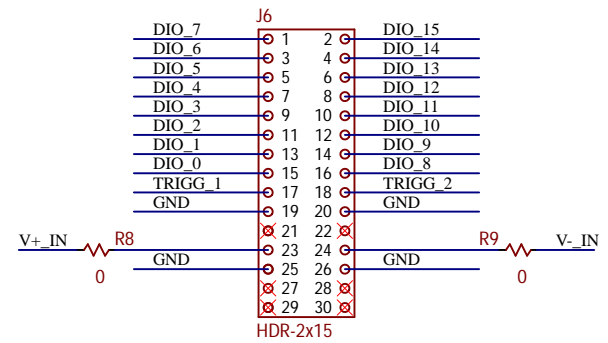
Stereo/Mono 1



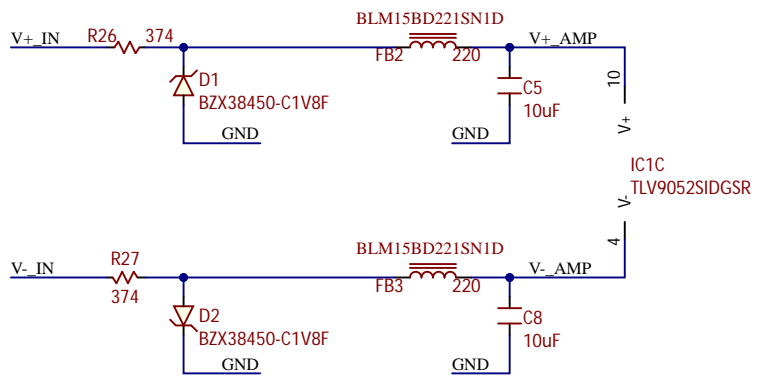
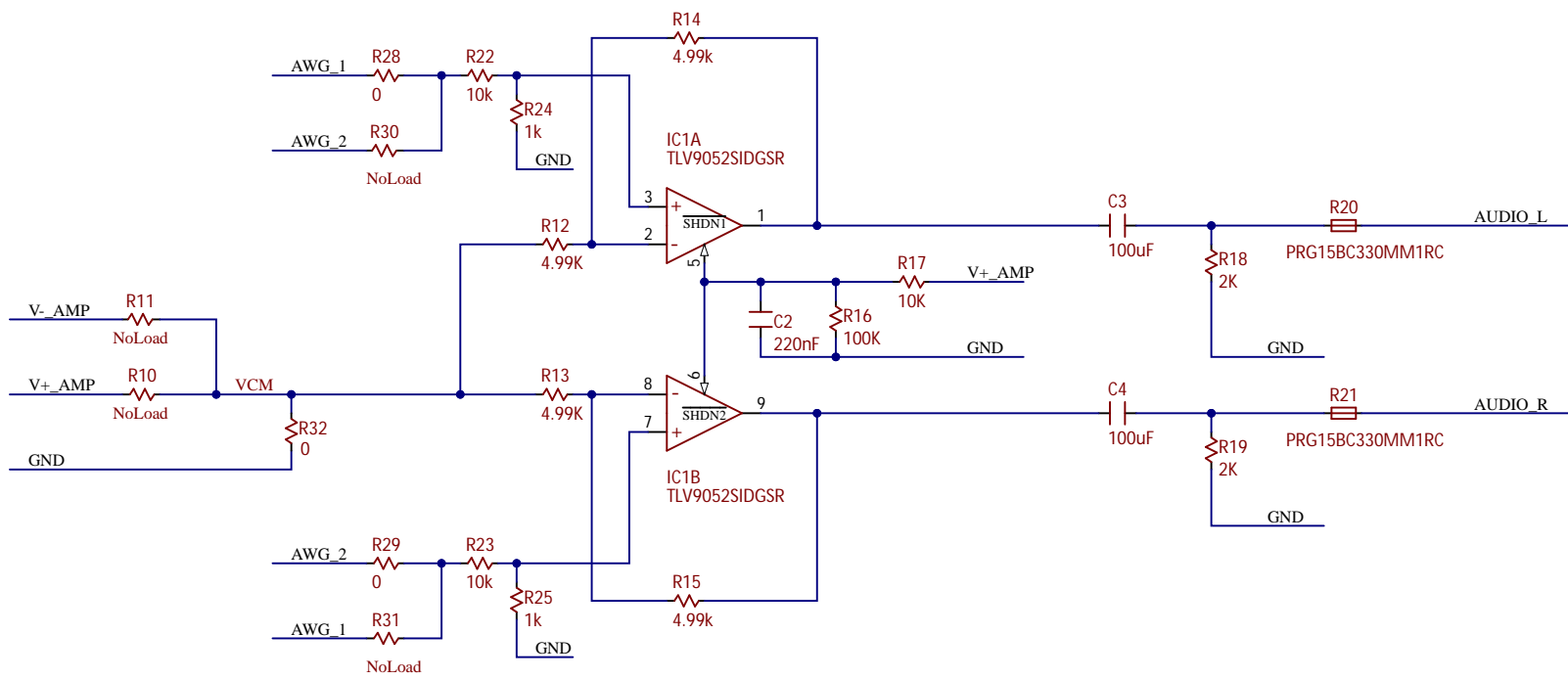
Mono 2



Output



Title		Rev
AD Audio Adapter +		C.0
Circuit Connectors and Protection		Copyright 2022
Doc#	410-418	
Engineer	GC	
Author	VVA	
Date	06/04/2023	
Sheet#	2 out of 3	



Title		Rev	
AD Audio Adapter +		C.0	
		Copyright 2022	
Circuit Amplifiers	Doc#	410-418	
Engineer	GC		
Author	VVA		
Date	06/04/2023		
Sheet#	3	out of	3



DIGILENT[®]
A National Instruments Company