

Sheet	Circuit
1	Contents
2	Block Design
3	Scope Channel 1, 2
4	Clock Generator and Power Regulation
5	ADC for Scope Channels 1,2
6	Syzygy Connector
7	Zmod-MCU

Terms of Use. The contents are provided "AS IS". DIGILENT DISCLAIMS ALL WARRANTIES, EITHER EXPRESS OR IMPLIED, INCLUDING, BUT NOT LIMITED TO, THE IMPLIED WARRANTIES OF MERCHANTABILITY, FITNESS FOR A PARTICULAR PURPOSE, AND NON-INFRINGEMENT OF INTELLECTUAL PROPERTY. The contents could contain technical inaccuracies, typographical errors or out-of-date information. Information may be updated or changed at any time, without notice. Use of such information is therefore at your own risk. Digilent may at any time revise these Terms of Use. You are bound by such revisions and should therefore visit <https://store.digilentinc.com/terms-of-use/> to review the current Terms of Use.

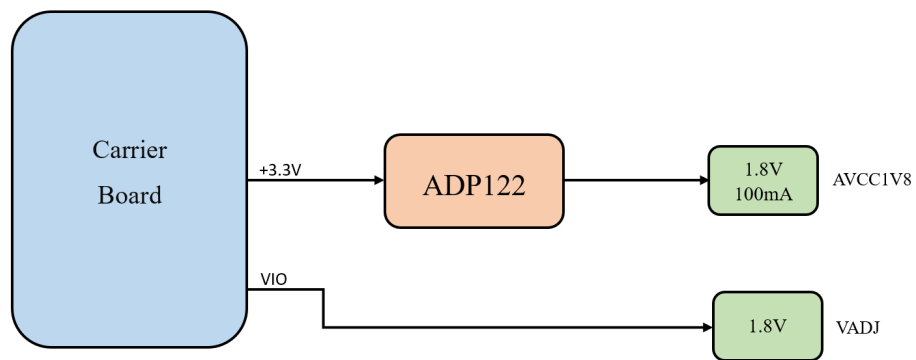
Limitation of Liability. DIGILENT WILL NOT BE LIABLE FOR DIRECT, INDIRECT, SPECIAL, INCIDENTAL, COVER, ECONOMIC, OR CONSEQUENTIAL DAMAGES ARISING OUT OF THE USE OR INABILITY TO USE THE CONTENTS EVEN IF DIGILENT IS ADVISED OF THE POSSIBILITY OF SUCH DAMAGES.

Title ZMOD SDR		Rev A.1
Circuit Contents		
Doc# 500-427		
Engineer MD		
Author BPE		
Date 11/28/2023		
Sheet# 1 out of 7		

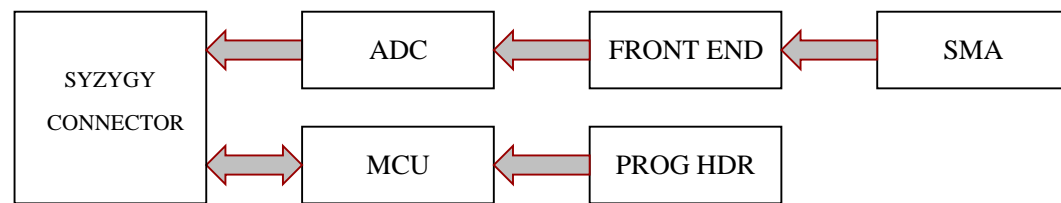


Copyright 2023

Power Tree

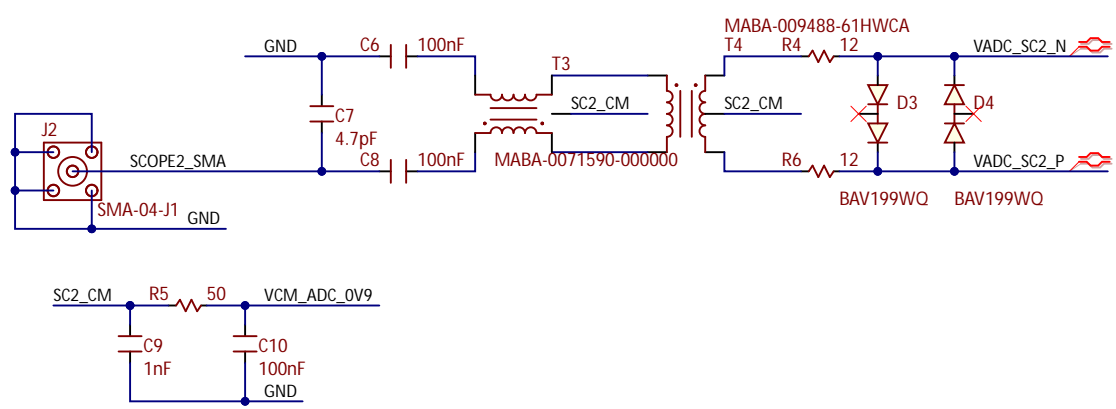
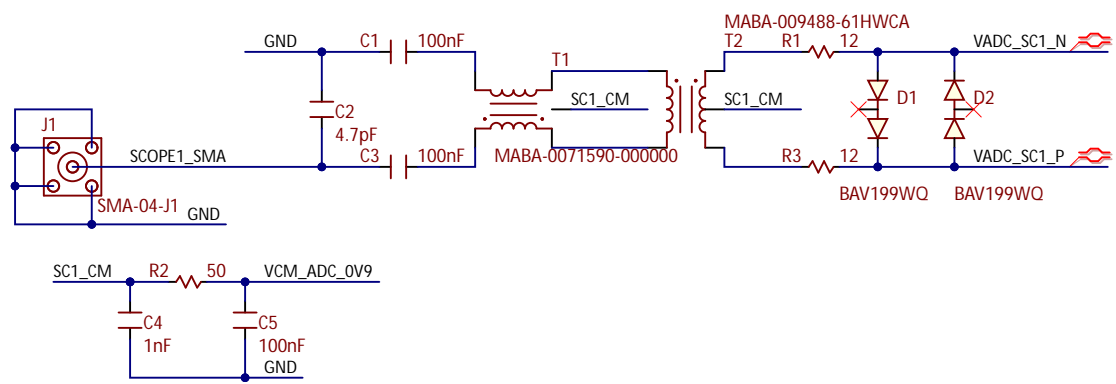


Block Diagram



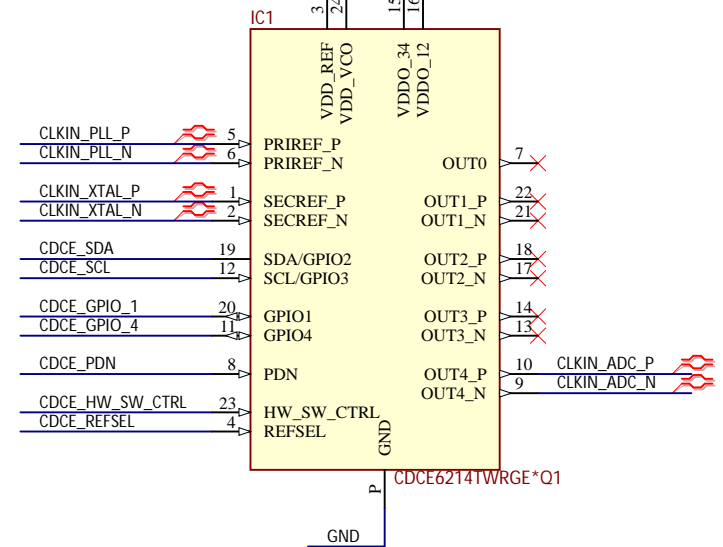
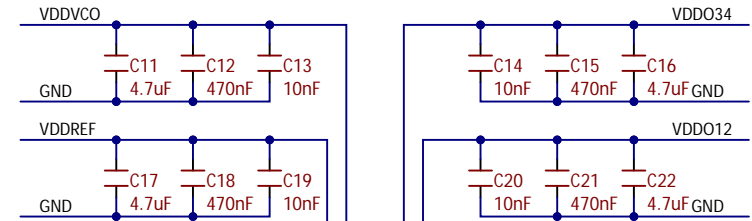
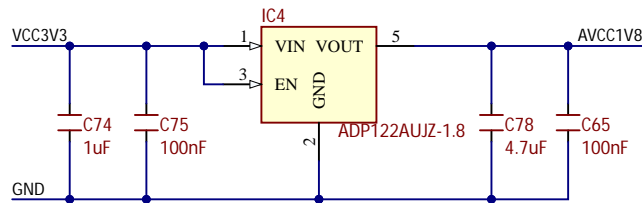
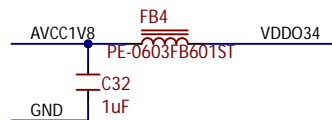
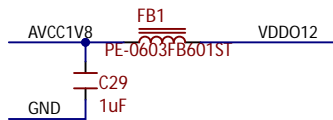
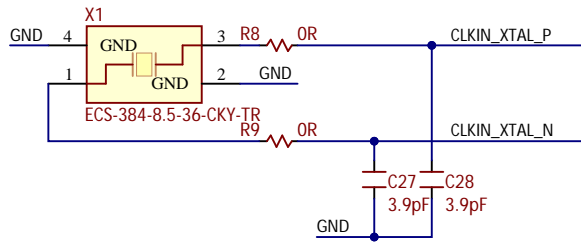
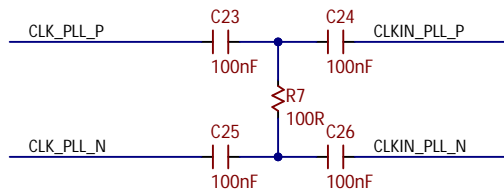
Title ZMOD SDR		Rev A.1
Circuit Block Diagram		
Doc# 500-427		
Engineer MD		
Author BPE		
Date 11/28/2023		
Sheet# 2 out of 7		





Title		ZMOD SDR		Rev		A.1	
Circuit		Scope Channel 1, 2		Doc#		500-427	
Author		BPE		Date		11/28/2023	
Sheet#		3		out of		7	





I2C address fall-back mode 0x67

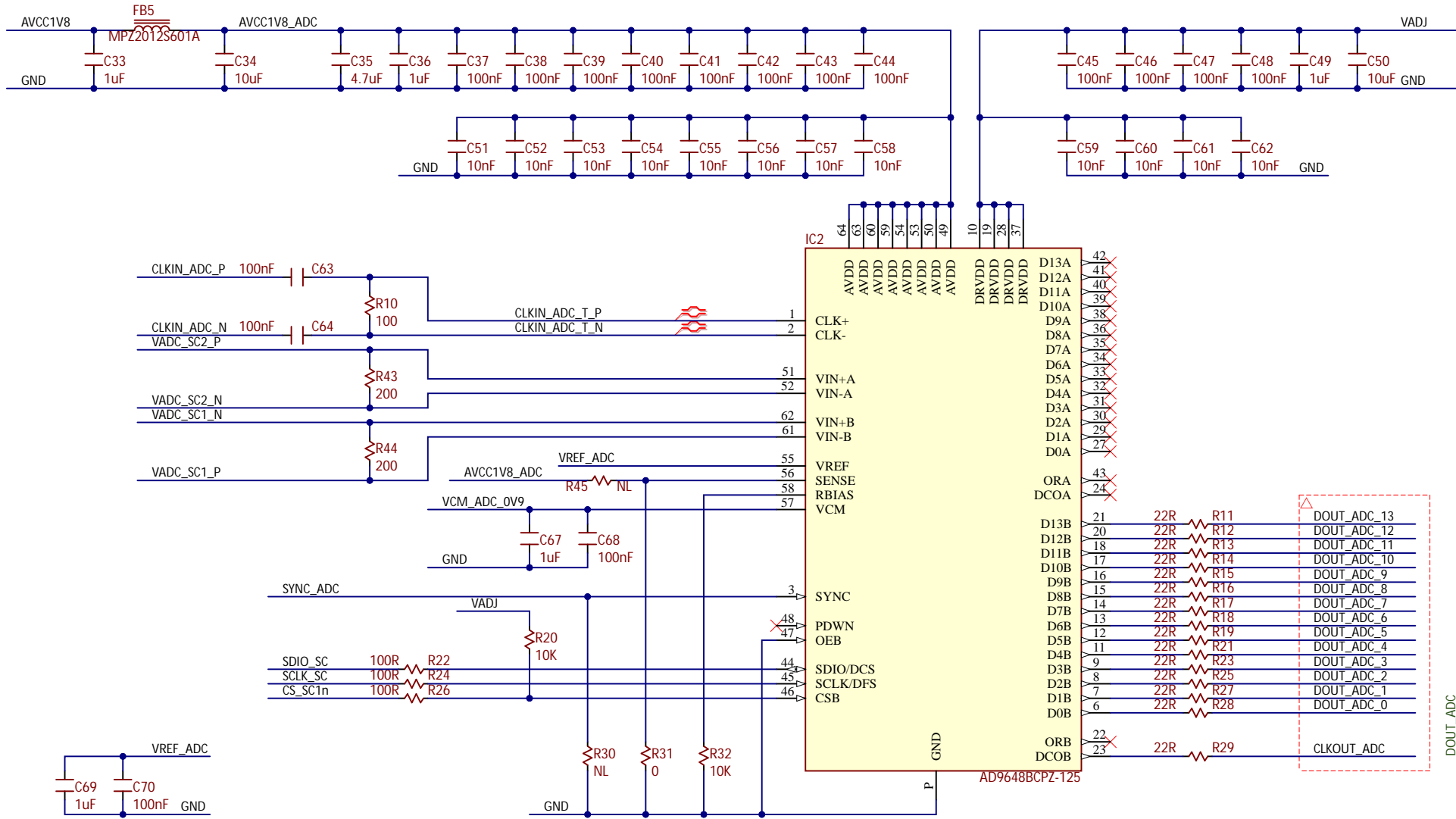
I2C address default mode 0x68

I2C address with bit programmed in the EEPROM 0x69

Title		Rev
ZMOD SDR		A.1
Circuit		
Clock Generator		
Doc# 500-427		
Engineer MD		
Author BPE		
Date 11/28/2023		
Sheet# 4 out of 7		



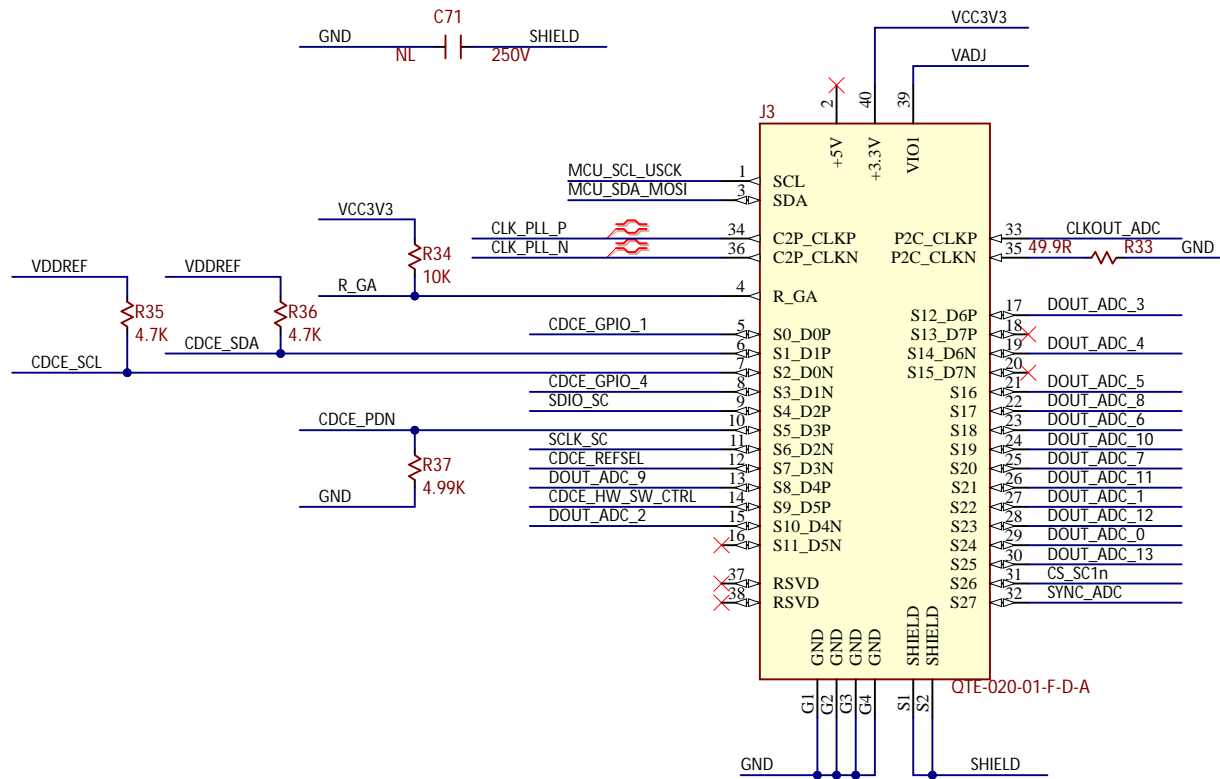
Copyright 2023



Title		ZMOD SDR		Rev		A.1	
Circuit		ADC for Scope Channels 1,2		Doc#		500-427	
Author		BPE		Date		11/28/2023	
Sheet#		5		out of		7	



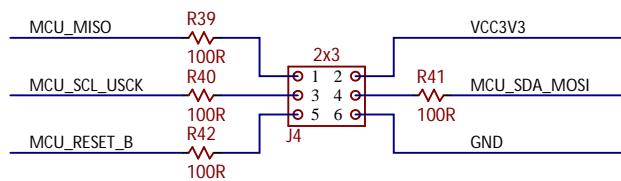
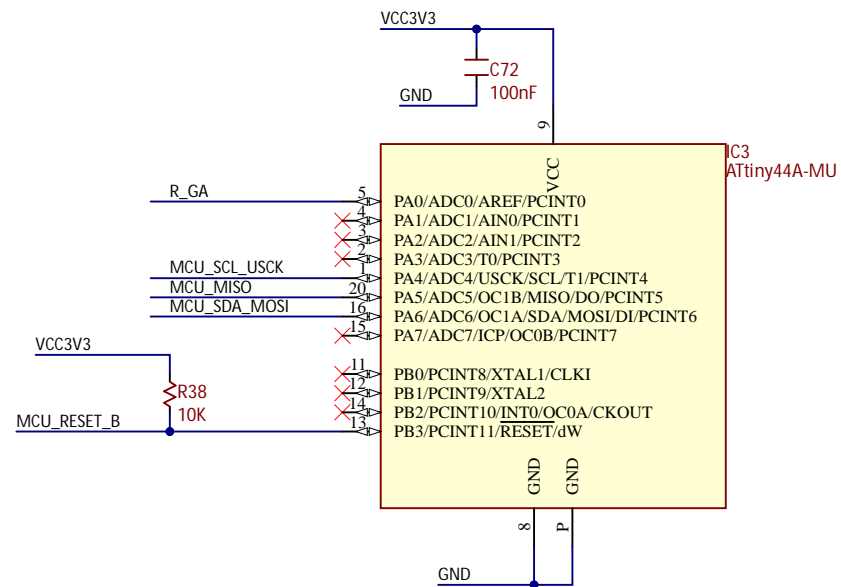
Copyright 2023



Title ZMOD SDR		Rev A.1
Circuit Szyzgy Connector		
Doc# 500-427		
Engineer MD		
Author BPE		
Date 11/28/2023		
Sheet# 6 out of 7		



Copyright 2023



I2C address slot A 0x30

I2C address slot B 0x31

Title ZMOD SDR		Rev A.1
Circuit Zmod-MCU		
Doc# 500-427		
Engineer MD		
Author BPE		
Date 11/28/2023		
Sheet# 7 out of 7		

